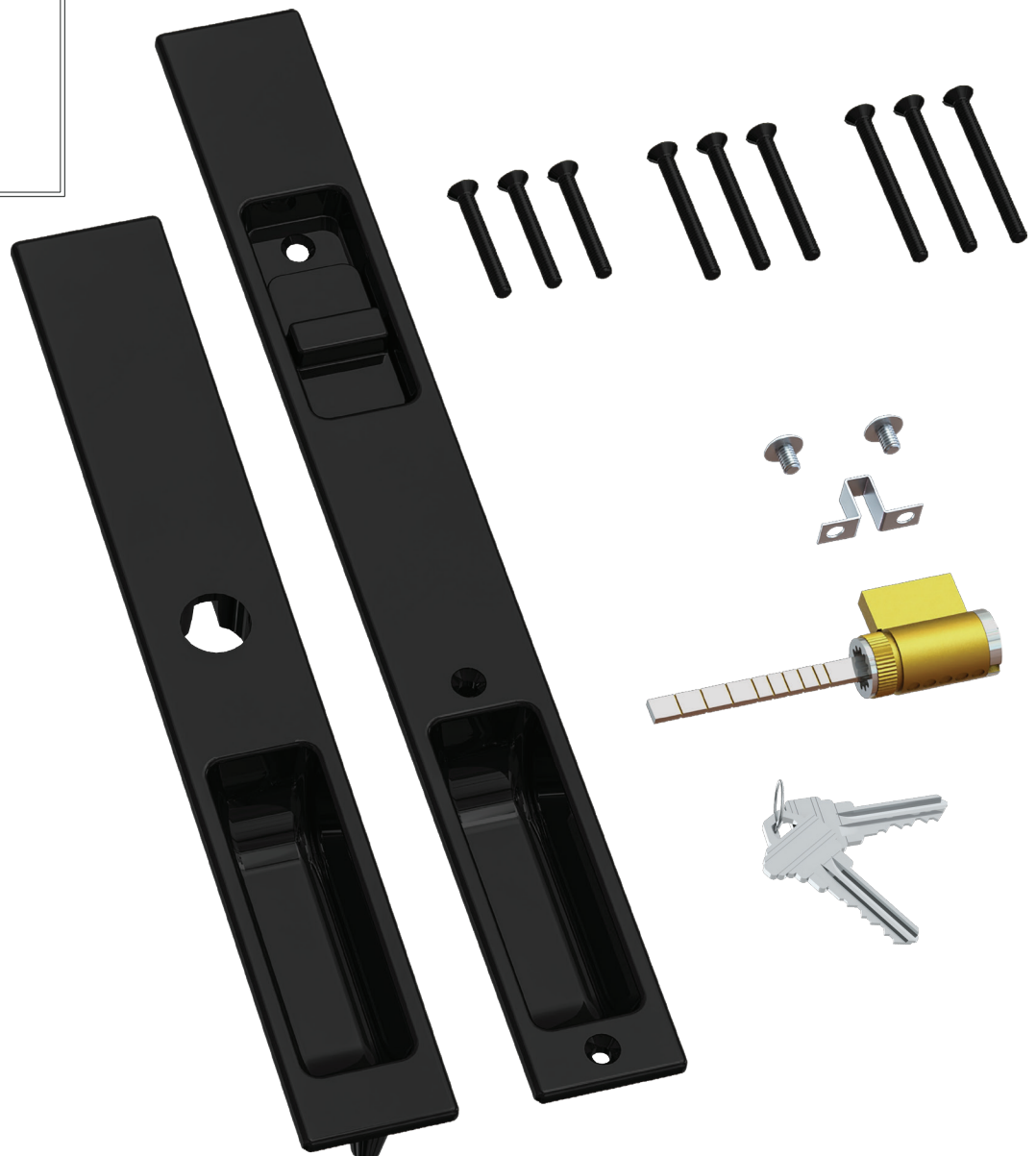


40.84.xx.300(OX)/301(XO) FLUSH MOUNT ACTIVE HANDLE KIT

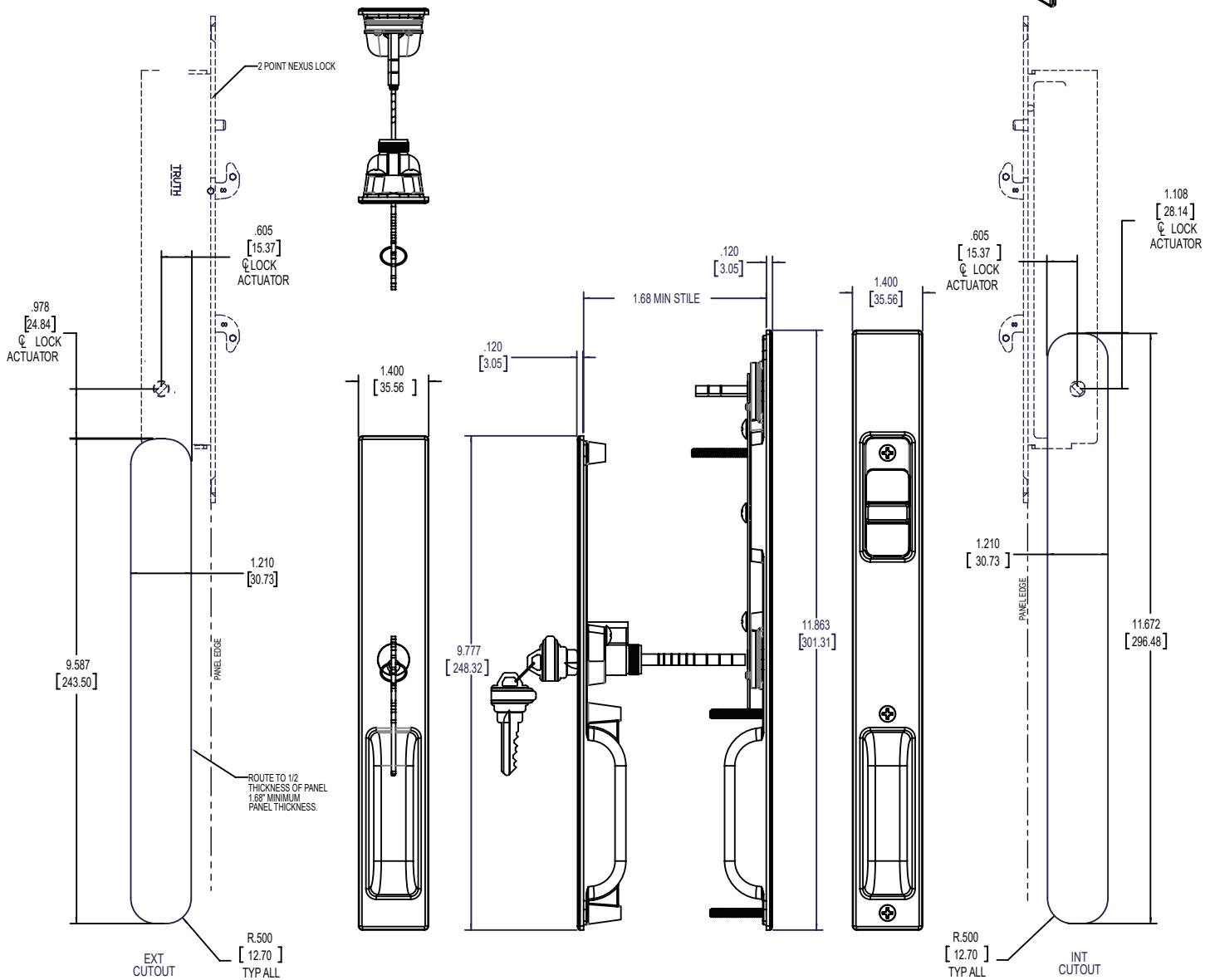
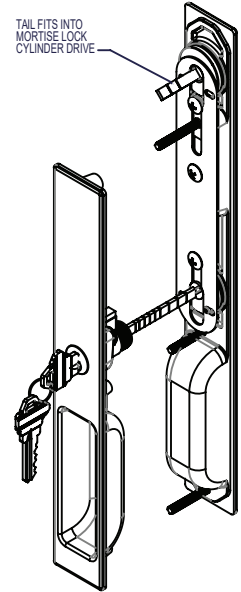
Included in the 40.84.xx.300(OX)/301(XO) Flush mount handle kit:

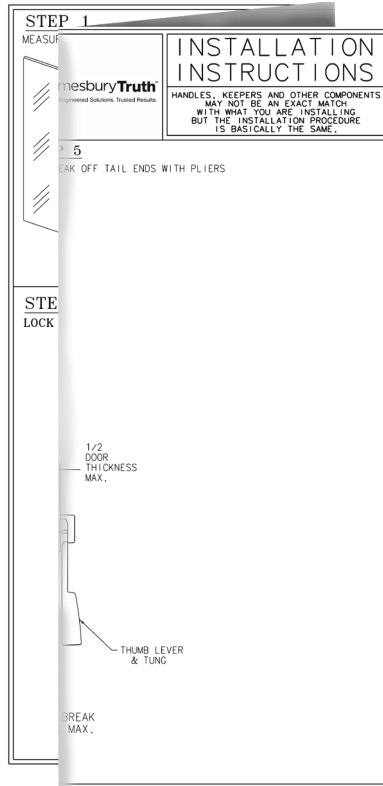
- Interior handle.
- Exterior handle.
- 3 sets of door mounting screws of 1 1/4", 1 1/2", 1 3/4" lengths to fit stile thicknesses ranging from 1.75" to 2.25".
- KD SCH-C style 5-pin Key cylinder, mounting clip, screws, and 2 keys. (KA available separately)
- Assembly instruction sheet.



Flush Mount Handle 40.84

FLUSH MOUNT PATIO DOOR ACTIVE HANDLE 40.84.XX.300.1 (OX SHOWN) 40.84.XX.301.1 (XO OPPOSITE)





40.84.xx.310(OX)/311(XO) FLUSH MOUNT SEMI-ACTIVE HANDLE KIT

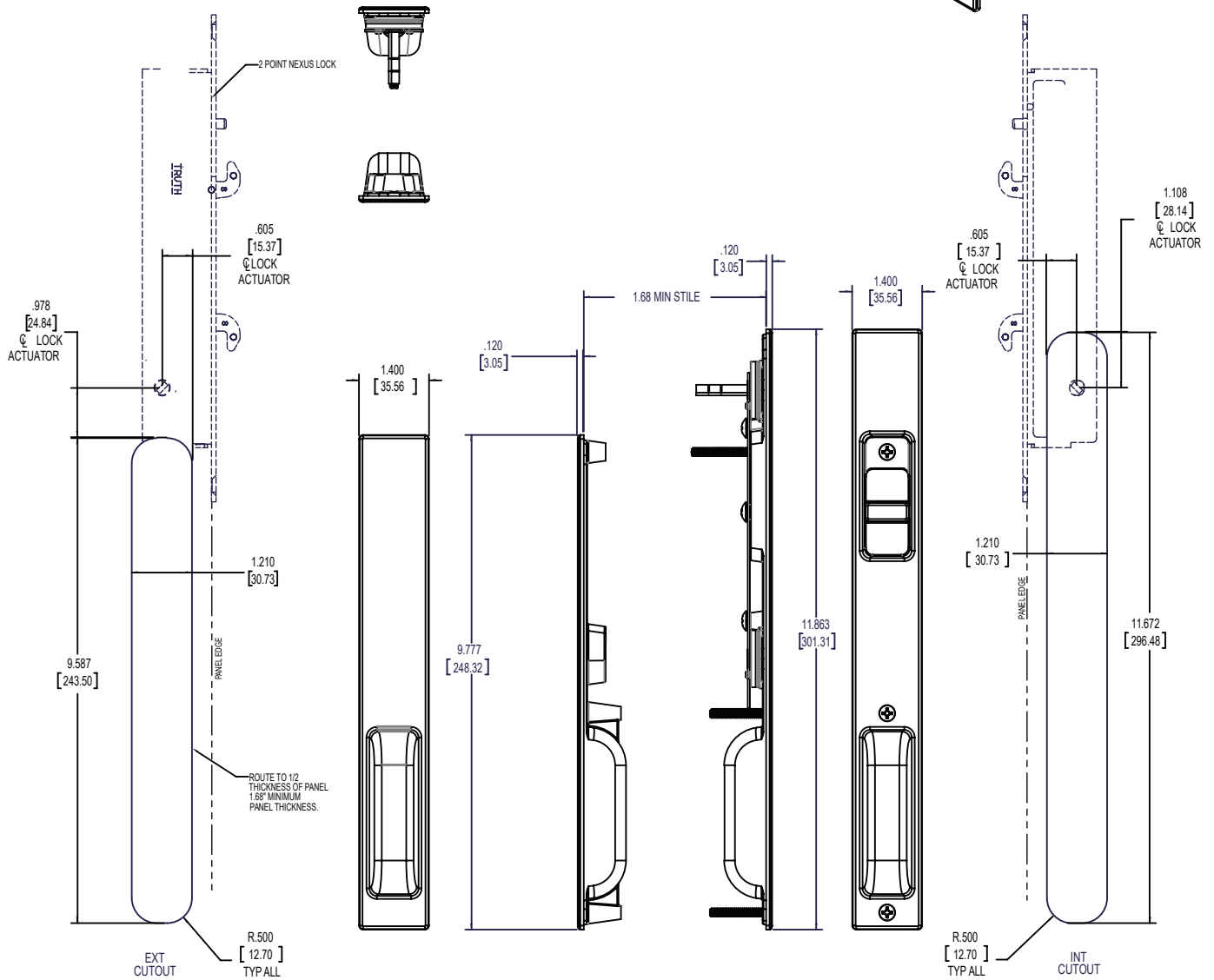
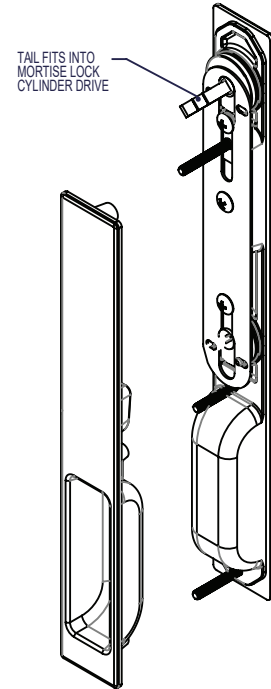
Included in the 40.84.xx.310(OX)/311(XO) Flush mount handle kit:

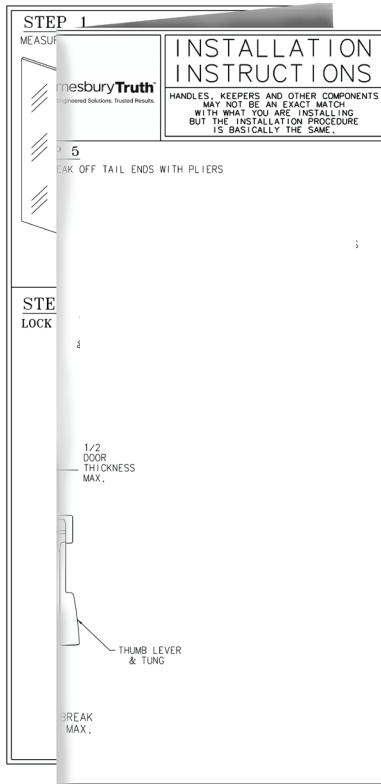
- Interior handle.
- Exterior handle.
- 3 sets of door mounting screws of 1 1/4", 1 1/2", 1 3/4" lengths to fit stile thicknesses ranging from 1.75" to 2.25".
- Assembly instruction sheet.



Flush Mount Handle 40.84

FLUSH MOUNT PATIO DOOR ACTIVE HANDLE 40.84.XX.310.1 (OX SHOWN) 40.84.XX.311.1 (XO OPPOSITE)





40.84.xx.304 SHALLOW PASSIVE HANDLE KIT

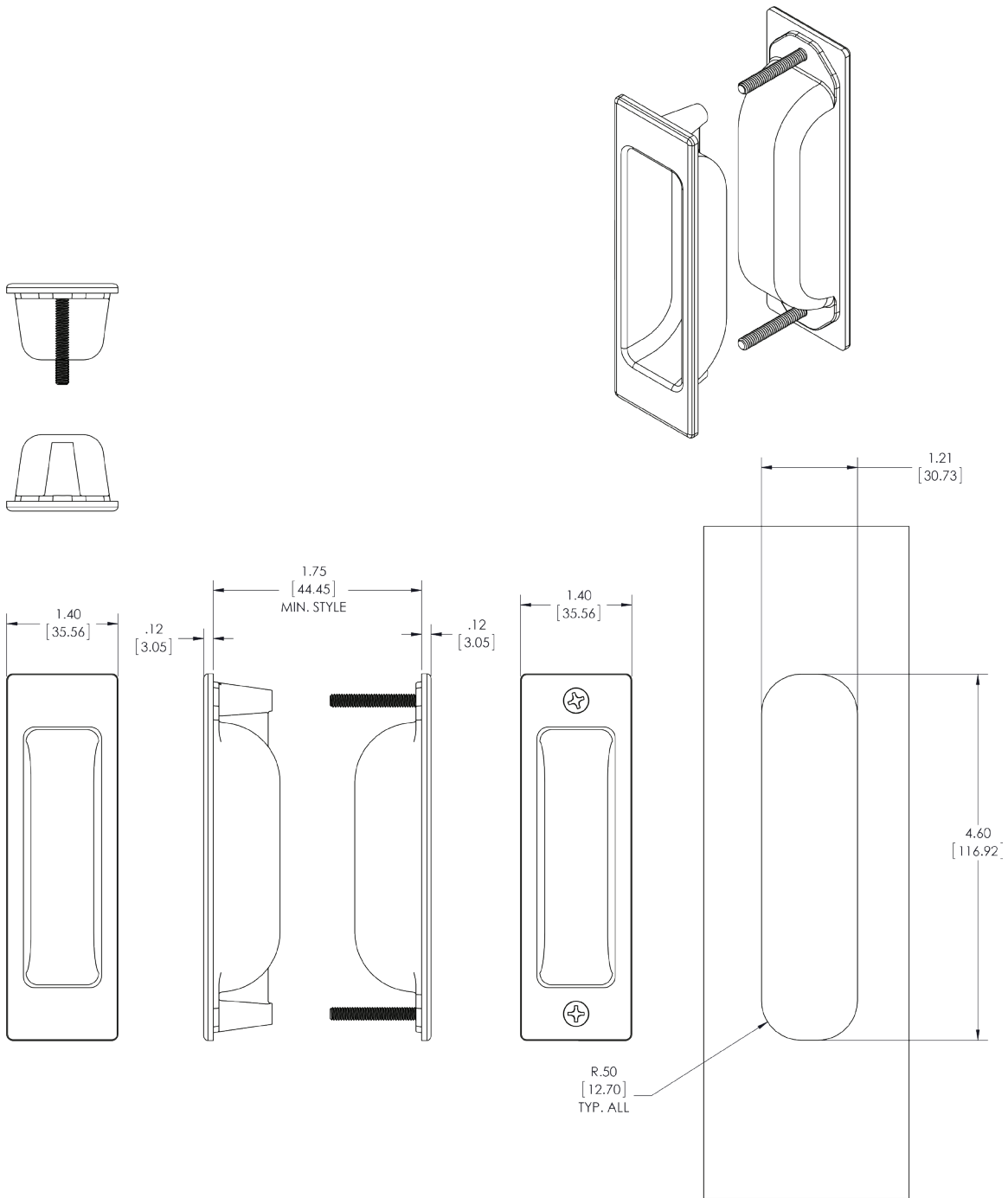
Included in the 40.84.xx.304 Shallow passive handle kit:

- Interior handle.
- Exterior handle .
- 3 sets of door mounting screws of 1 1/4", 1 1/2", 1 3/4" lengths to fit stile thicknesses ranging from 1.75" to 2.25".
- Assembly instruction sheet.



Flush Mount Handle 40.84

FLUSH MOUNT PATIO DOOR SHALLOW PASSIVE HANDLE 40.84.XX.304.1



Compatible Locks:

The Flush Mount Series 40.84 handle sets work with 2 point Nexus™ locks.

AmesburyTruth's technical applications specialists can help assist with determining the best lock for the particular door system you are fabricating.

The applications team can be reached at:
ApplicationSpecialists@truth.com



**Nexus
2 - Point**